

Technical Data

For detailed data and product description refer to the data sheets at www.pepperl-fuchs.com

General Data

Rated operating distance	15 mm
Installation	non-flush
Type of voltage	DC
Operating voltage	10 ... 30 V
No-load supply current	≤ 15 mA
Reverse polarity protection	✓
Switching frequency	0 ... 200 Hz
Operating current	0 ... 200 mA
Short-circuit protection	pulsing
Indication of the switching state	LED, yellow
Ambient temperature	-25 ... 70 °C (-13 ... 158 °F)
Housing material	PBT
Protection degree	IP68 / IP69K
Connection type	cabl PVC , 2 m



Properties

- Ø30 mm housing
- 15 mm, non-flush mountable
- DC, 3-wire switching output
- Cable version

Further Products

In this series, we offer additionally:

NJ15-30GK-E2-T

Technical data comparable to NBN15-30GK50-E2 but:
Ambient temperature: -25 ... 100 °C (-13 ... 212 °F)

Model Number

Switching element function	NPN	NO	NBN15-30GK50-E0	NBN15-30GK50-E2
	PNP	NO	●	●

Approvals and Certificates

UL approval	cULus Listed, General Purpose	●	●
CSA approval	cCSAus Listed, General Purpose	●	●
CCC approval	Products with a maximum operating voltage of ≤36 V do not bear a CCC marking because they do not require approval.		

Dimensions

Length L [mm]	52
Diameter D [mm]	30
Thread length l _t [mm]	48
Cap length l ₁ [mm]	1
Connector area l _c [mm]	0
LED position	Pos. C

Accessories

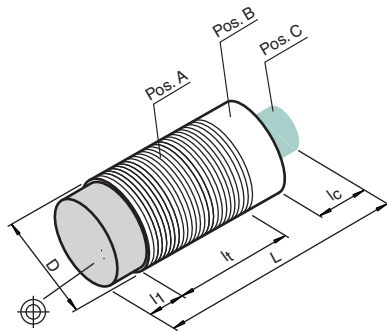
This and more accessories can be found in chapter 10

See pages from 972 ... for cordsets

See pages 1068 ... for mounting aids

BF 30

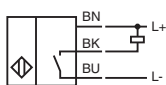
Mounting flange, 30 mm



Electrical Connection



NBN15-30GK50-E0



NBN15-30GK50-E2
NJ15-30GK-E2-T

